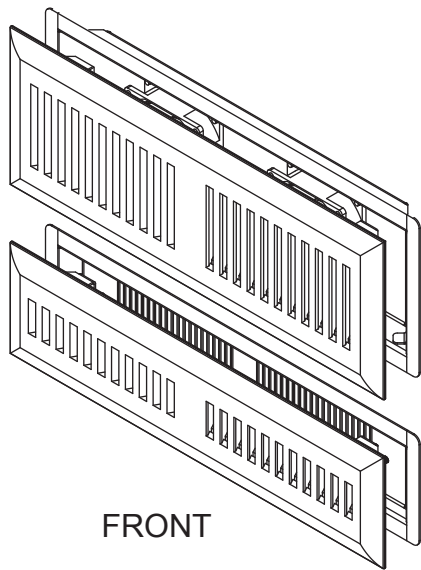


INSTRUCTION SHEET

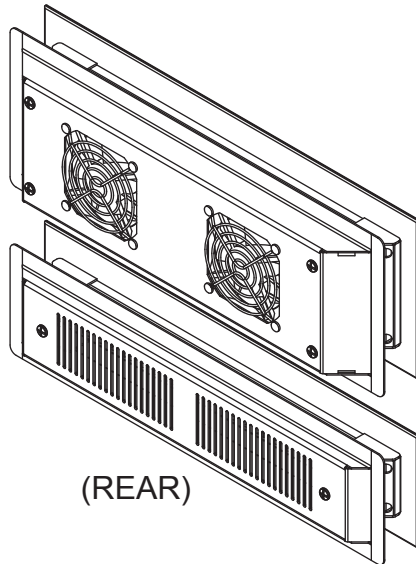
CLS-COOL

QUIET-COOL SERIES™ CLOSET COOLER

CLS-COOL1

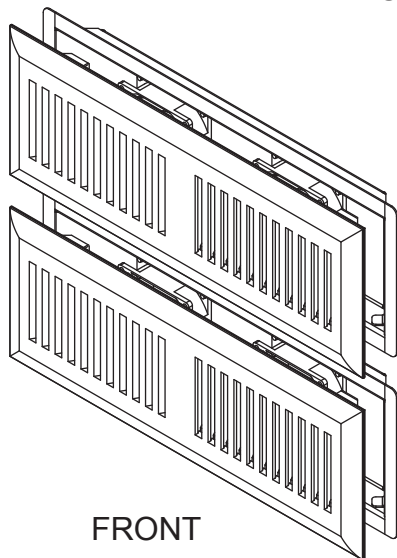


FRONT

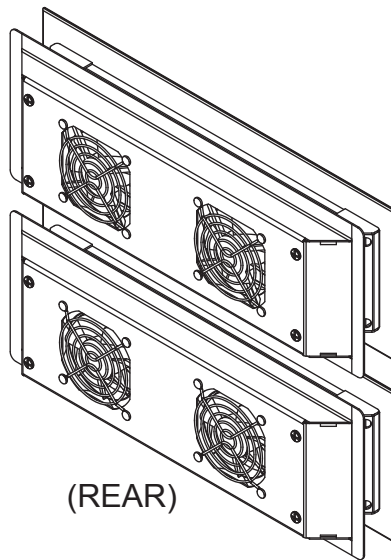


(REAR)

CLS-COOL2



FRONT



(REAR)

THANK YOU

Thank you for purchasing the Quiet Cool Series™ CLS-COOL Closet Cooler. Please read these instructions thoroughly before installing / assembling this product.

PRODUCT FEATURES

- Extends equipment life.
- Quietly removes heat produced by electronic equipment.
- Thermostatically controlled fans run only when necessary.
- Attractive, solid oak vents can be stained or painted to match any décor.

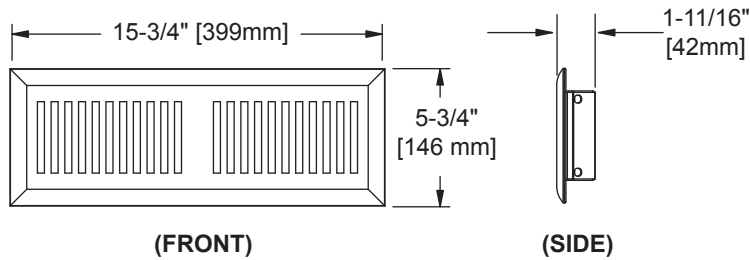
SPECIFICATIONS

MODEL	POWER REQUIREMENTS	FAN QUANTITY	CFM	dBA @ 1 METER
CLS-COOL1	12VDC @ 200mA	2	50	25
CLS-COOL2	12VDC @ 400mA	4	50	28

PANELS

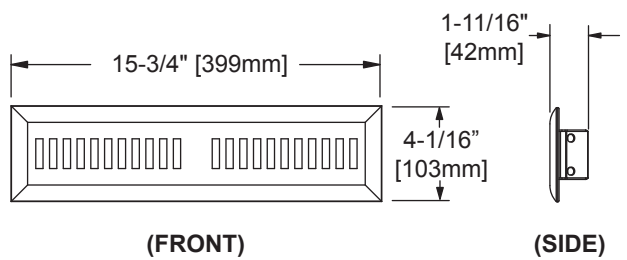
FRONT VENT PANEL

CLS-COOL1 - TOP PANEL
CLS-COOL2 - TOP / BOTTOM PANEL



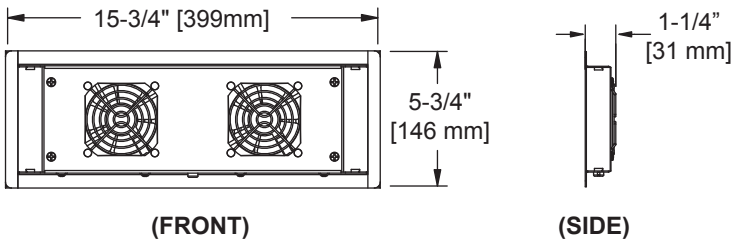
FRONT VENT PANEL

CLS-COOL1 - BOTTOM PANEL



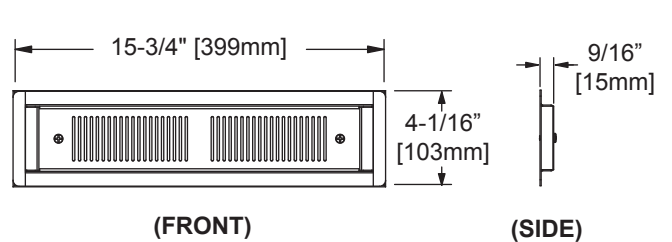
ACTIVE REAR PANEL

CLS-COOL1 - ACTIVE EXHAUST PANEL
CLS-COOL2 - ACTIVE EXHAUST / INTAKE PANEL

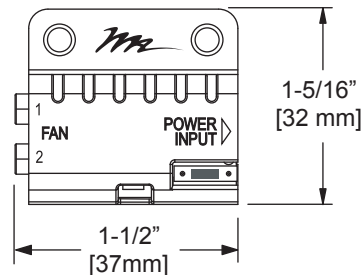
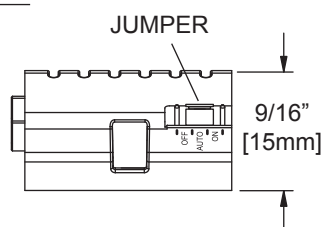


PASSIVE REAR PANEL

CLS-COOL1 - PASSIVE INTAKE PANEL



INLINE FAN CONTROL



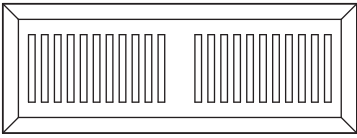
TOOLS REQUIRED

- DRILL
- 3/8" DRILL BIT
- JIGSAW
- #2 PHILLIPS HEAD DRIVER

PARTS

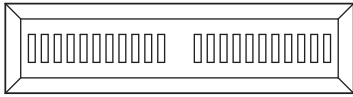
FRONT VENT PANEL

	<u>QTY</u>
CLS-COOL1	1
CLS-COOL2	2



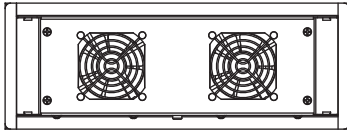
FRONT VENT PANEL

	<u>QTY</u>
CLS-COOL1	1
CLS-COOL2	0



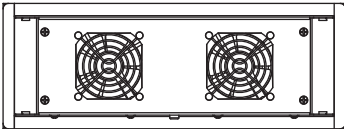
ACTIVE EXHAUST PANEL (6 ft cord)

	<u>QTY</u>
CLS-COOL1	1
CLS-COOL2	1



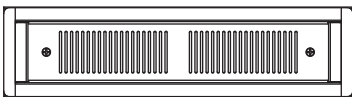
ACTIVE INTAKE PANEL (12 ft cord)

	<u>QTY</u>
CLS-COOL1	0
CLS-COOL2	1



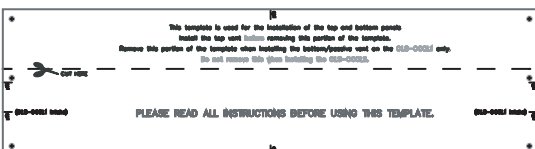
PASSIVE INTAKE PANEL

	<u>QTY</u>
CLS-COOL1	1
CLS-COOL2	0



TEMPLATE

	<u>QTY</u>
CLS-COOL1	1
CLS-COOL2	1



WIRE TIE MOUNT

	<u>QTY</u>
CLS-COOL1	5
CLS-COOL2	10



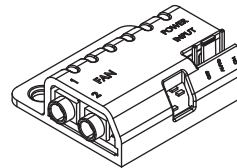
WIRE TIE

	<u>QTY</u>
CLS-COOL1	5
CLS-COOL2	10



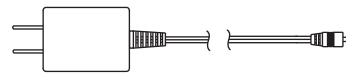
INLINE FAN CONTROL

	<u>QTY</u>
CLS-COOL1	1
CLS-COOL2	1



POWER SUPPLY

	<u>QTY</u>
CLS-COOL1	1
CLS-COOL2	1



WOOD SCREW (6x3/8")

	<u>QTY</u>
CLS-COOL1	2
CLS-COOL2	2



SCREW (10-32x2")

	<u>QTY</u>
CLS-COOL1	4
CLS-COOL2	8



SCREW (10-32x1-1/2")

	<u>QTY</u>
CLS-COOL1	2
CLS-COOL2	0



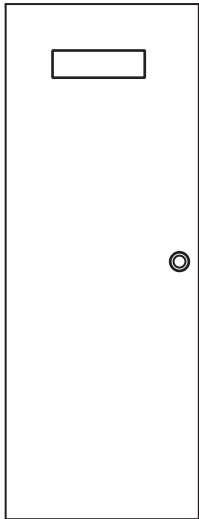
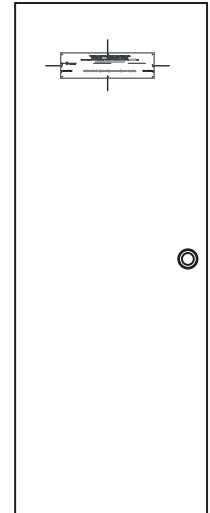
INSTALLATION

1) Determine location for mounting your CLS-COOL.

NOTE: Rear Intake and Exhaust Panels are labeled accordingly on the inside of the panel.

RECOMMENDED INSTALLATION: Install Active Exhaust first at the highest point available in the door. Install Passive / Active Intake second at lowest point available in the door. (Template must be cut to trace for CLS-COOL1 Passive Intake installation)

2) Using center lines as a guide, trace template on upper section of the door.
Mark four outer corner holes on the template (\oplus).



3) Using a 3/8" drill bit, drill 4 clearance holes at pre-marked corner holes to allow access for jigsaw.

4) Carefully cut out traced section of door.

5) Repeat steps 2 - 4 for the Passive or Active Intake.

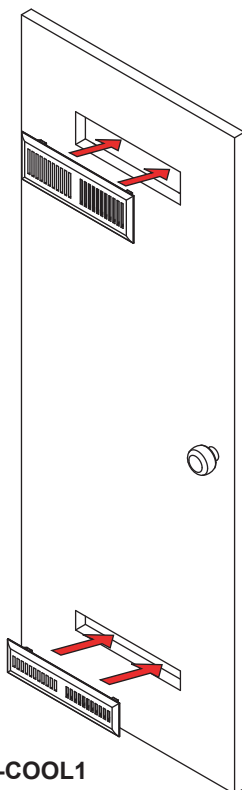
NOTE: For CLS-COOL1 Passive Intake, cut the template as it shows.
(DO NOT cut template for CLS-COOL2 Active Intake)

6) Place wood panels on outside of door. (A second person may be required to hold wood vent panels in place)

ACTIVE EXHAUST
VENT PANEL

PASSIVE INTAKE
VENT PANEL

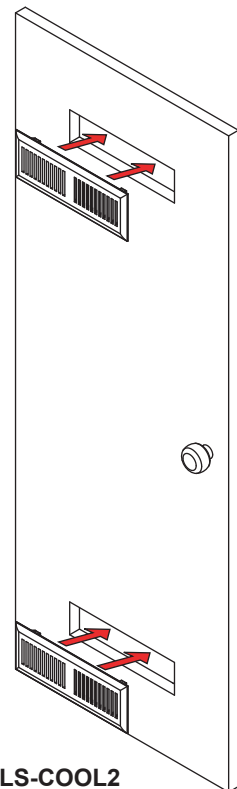
CLS-COOL1
(FRONT VIEW)



ACTIVE EXHAUST
VENT PANEL

ACTIVE INTAKE
VENT PANEL

CLS-COOL2
(FRONT VIEW)



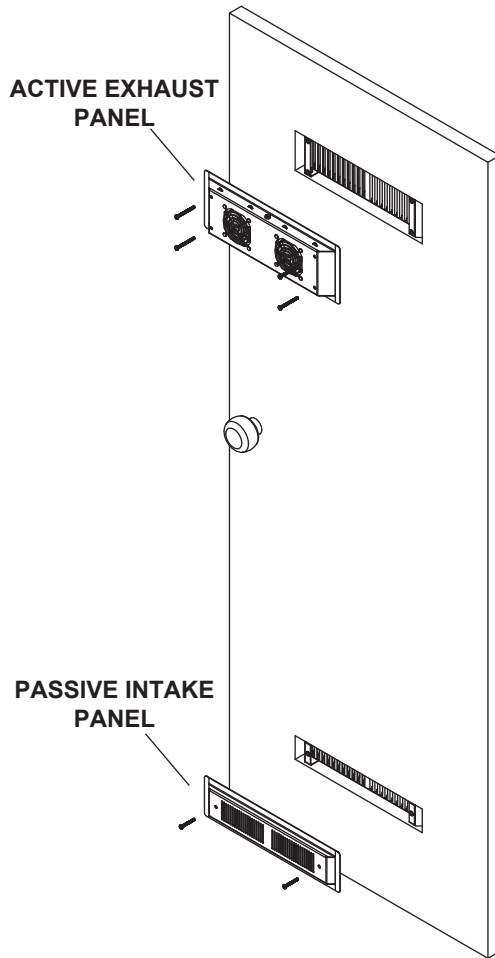
7) Attach rear panels using provided screws.

NOTE: For CLS-COOL2, position Active Exhaust Panel with wire up. Position Active Intake Panel with wire down.

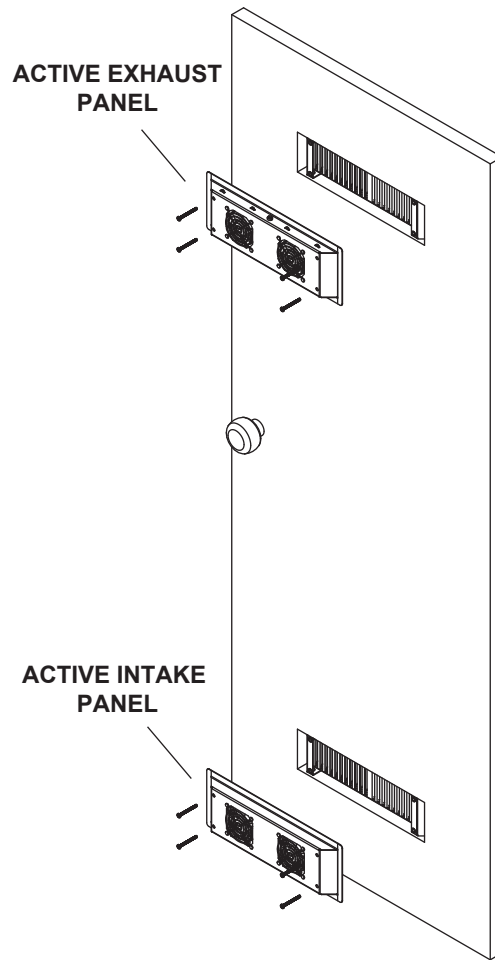
- For CLS-COOL1, use four 10-32x2 screws to attach Active Exhaust Panel. Use two 10-32x1.5 screws
- For CLS-COOL2, use eight 10-32x2 screws to attach Active Intake Panel and Active Exhaust Panel.



SNUG SCREWS EVENLY

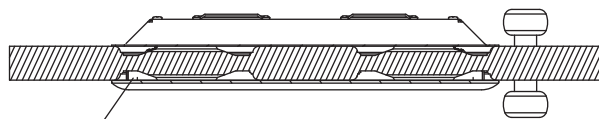


CLS-COOL1
(REVIEW)

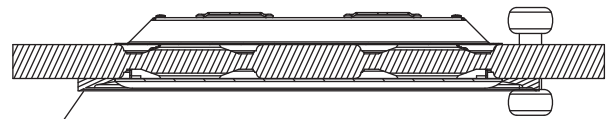


CLS-COOL2
(REVIEW)

TIP: If using a raised or recessed panel door, cosmetic fillers or trimming may be required.



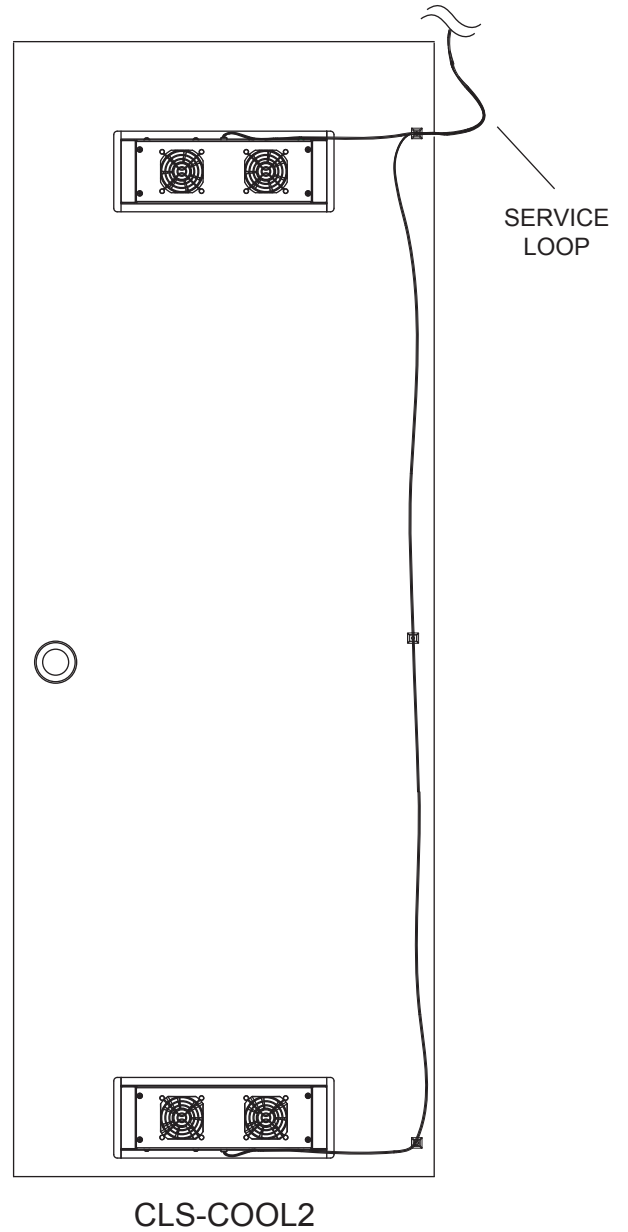
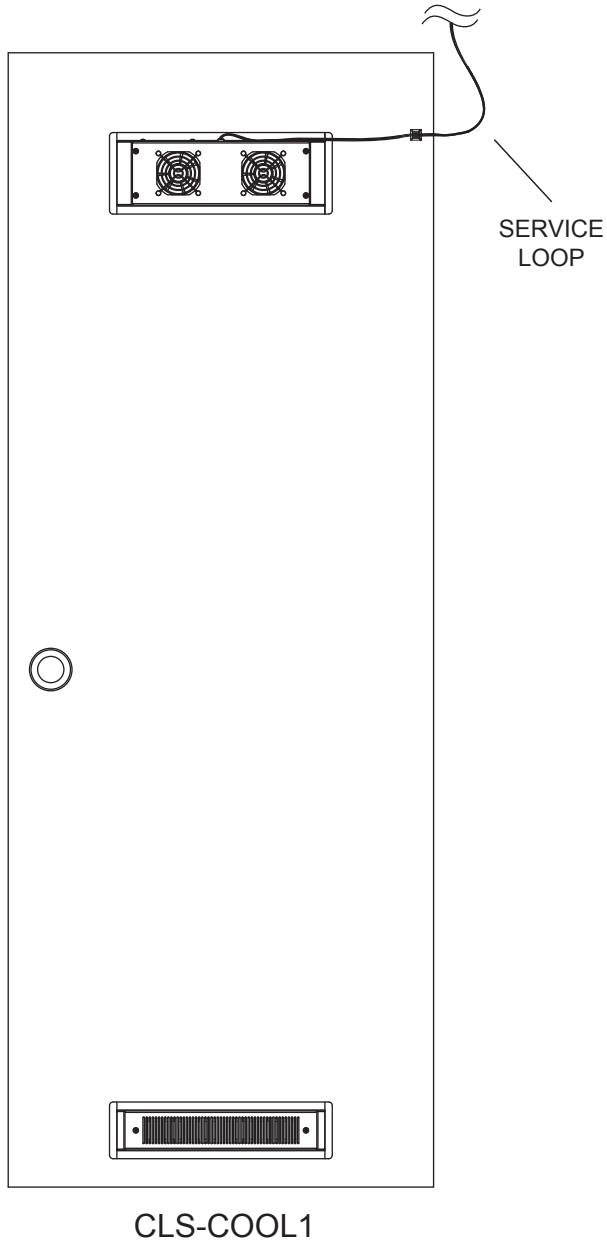
COSMETIC
FILLER



MOLDING / TRIM

8) With the door in the full open position, run cabling as shown. Use provided Wire Ties and Wire Tie Mounts as required. Create a service loop at the top of the door to provide cable strain relief.

NOTE: When running cables make sure they do not get pinched or interfere with door closure.

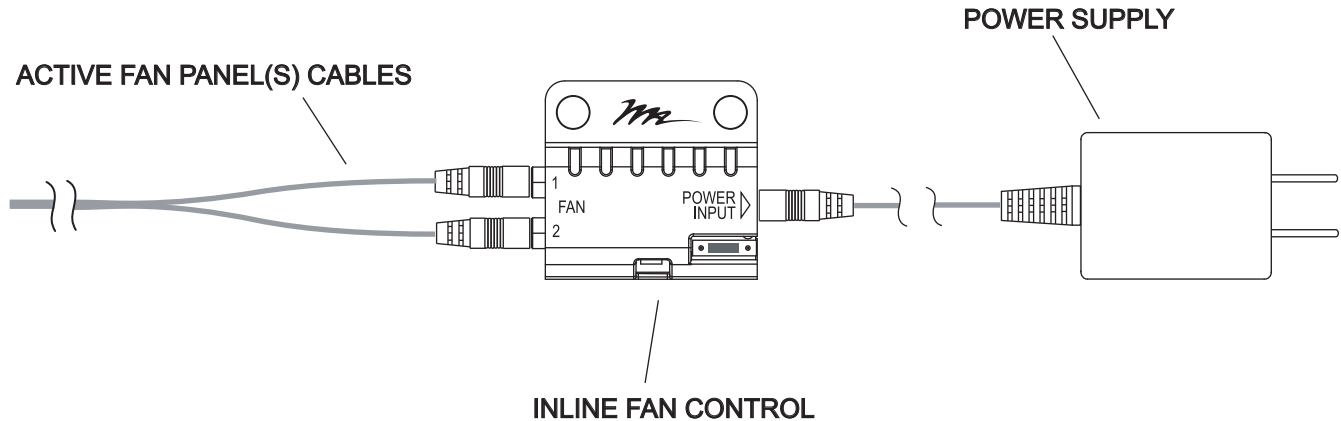


INLINE FAN CONTROL OPERATION

- Jumper on two center pins (factory setting) fan will turn on at 87° and turn off at 85°.
- Jumper on two left pins, fan will remain off.
- Jumper on two right pins, fan will remain on.

9) Plug Power Supply into power source.

10) Plug Active Fan Panels into input one and / or two on Inline Fan Control. Plug Power Supply into power input.



11) With cabling installed, determine mounting location for Inline Fan Control.

NOTE: Inline Fan Control MUST be mounted at the highest available location.

12) Remove all cables from Inline Fan Control

13) Install Inline Fan Control at predetermined location using provided Wood Screws

14) Plug Active Fan Panels and Power Supply to Inline Fan Control.

- THE CLS-COOL IS NOW READY FOR USE -

WARRANTY

Middle Atlantic Products (the "Company") warrants the CLS-COOL Closet Cooler to be free from defects in material or workmanship under normal use and conditions for a period of (3) years from date of shipment by the Company.

The Company's entire liability to the purchaser, and the purchaser's (or any other party's) sole and exclusive remedy, under this warranty shall be limited, at the Company's option, to either (a) return of and refund of the price paid for, or (b) repair or replacement at the Company's factory of the products purchased, or any part or parts thereof, which the Company has determined to be defective after inspection thereof at the Company's factory.

This warranty does not cover damage due to acts of God, accident, misuse, abuse or negligence by parties other than the Company, or any modification or alteration of the products. In addition, this warranty does not cover damage due to improper handling, assembly, installation or maintenance.

THIS WARRANTY IS IN LIEU OF ALL OTHER WARRANTIES OF ANY KIND, EITHER EXPRESSED OR IMPLIED, INCLUDING, BUT NOT LIMITED TO, IMPLIED WARRANTIES OF MERCHANTABILITY AND FITNESS FOR A PARTICULAR PURPOSE.

TO THE MAXIMUM EXTENT PERMITTED BY APPLICABLE LAW, IN NO EVENT SHALL THE COMPANY BE LIABLE FOR ANY SPECIAL, INCIDENTAL, INDIRECT, OR CONSEQUENTIAL DAMAGES WHATSOEVER (INCLUDING, WITHOUT LIMITATION, DAMAGES FOR LOSS OF BUSINESS PROFITS, BUSINESS INTERRUPTION OR ANY OTHER PECUNIARY LOSS) ARISING OUT OF THE USE OF THE PRODUCTS PURCHASED, EVEN IF THE COMPANY HAS BEEN ADVISED OF THE POSSIBILITY OF SUCH DAMAGES. THE COMPANY'S LIABILITY TO THE PURCHASER (OR ANY OTHER PARTY) HEREUNDER, IF ANY, SHALL IN NO EVENT EXCEED THE PURCHASE PRICE OF THE PRODUCTS PAID TO THE COMPANY.

Corporate Headquarters

Corporate Voice 973-839-1011 - Fax 973-839-1976
International Voice +1 973-839-8821 - Fax +1 973-839-4982
middleatlantic.com - info@middleatlantic.com

Middle Atlantic Canada

Voice 613-836-2501 - Fax 613-836-2690
middleatlantic.ca - customerservicecanada@middleatlantic.ca

Factory Distribution

USA: NJ - CA - IL Canada: ON - BC

At Middle Atlantic Products we are always listening. Your comments are welcome.

Middle Atlantic Products is an ISO 9001 and ISO 14001 Registered Company.

